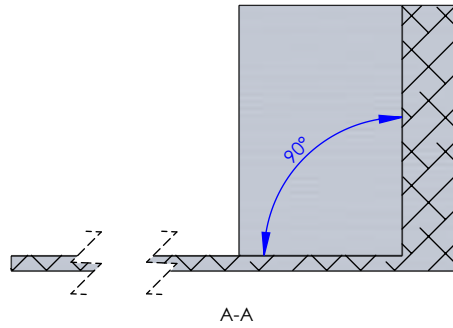
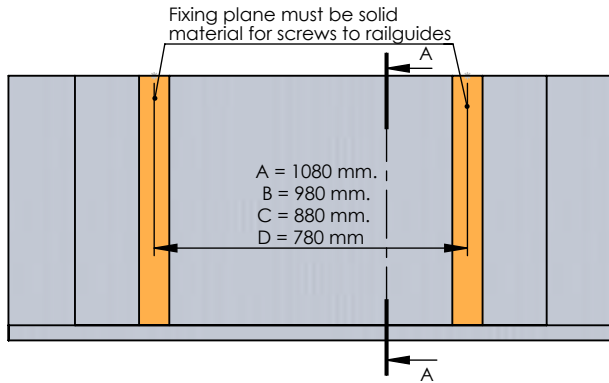


C-C = Distance between railguides; depending of step width of FlexStep

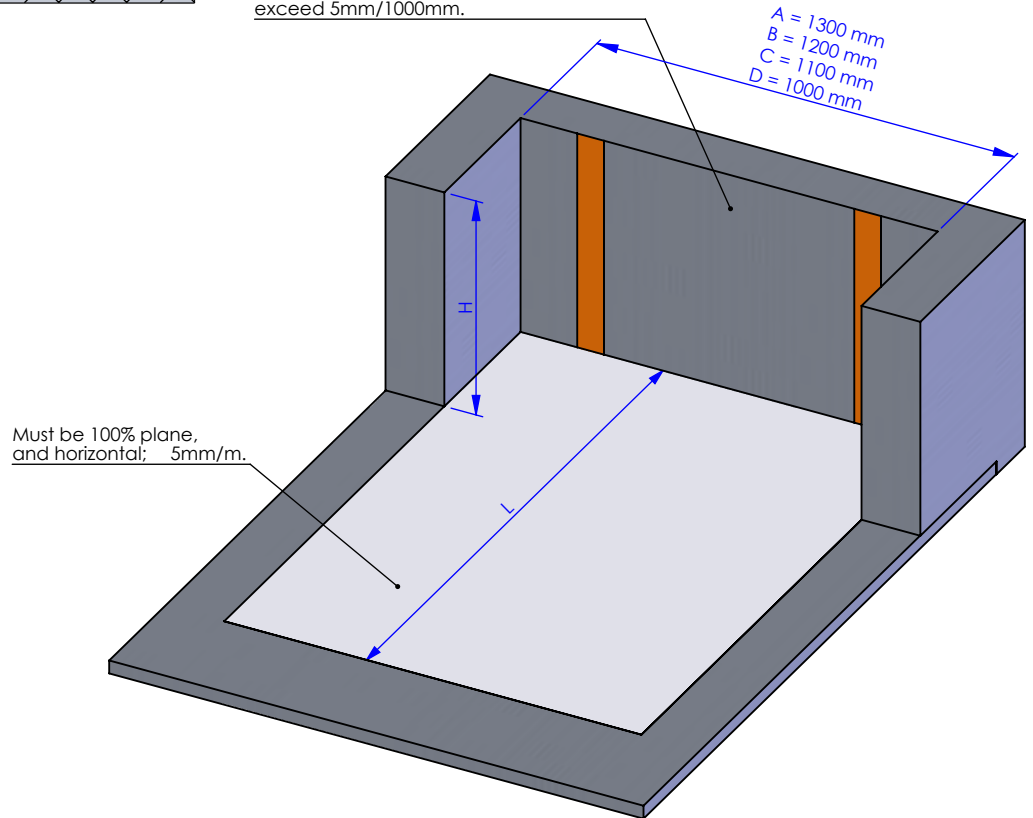
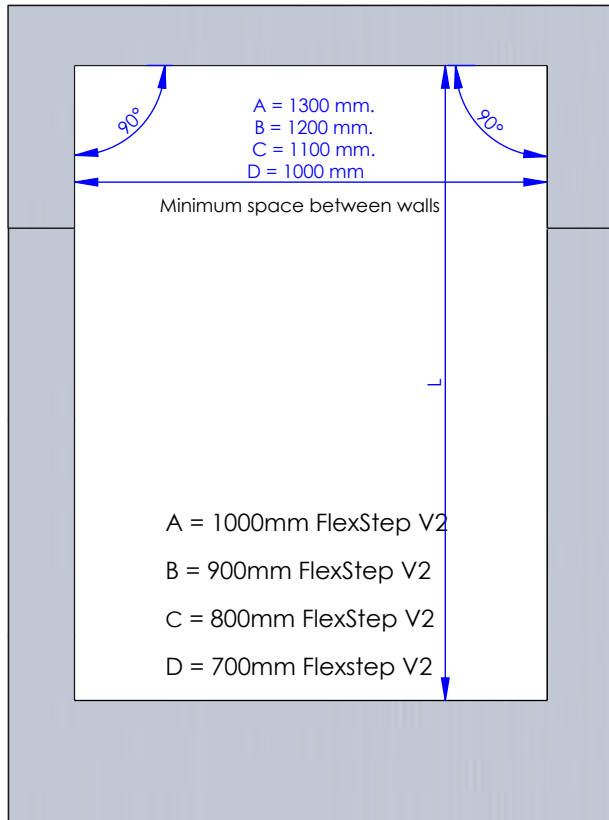


# FlexStep V2

H = Distance between upper and lower level.

L = Depending of numbers of steps.  
3 steps A = 1500mm.  
4 steps A = 1500mm.  
5 steps A = 1800mm.  
6 steps A = 2100mm.

Surface must be plane and 100% vertical  
Tolerances of the vertical surface must not exceed 5mm/1000mm.



Rev.	Revision description.	Building spec. FlexStep V2		LIFTUP Hagensvej 21 9530 Støvring Tlf.: +45 96 86 30 20	
G	-	Created date:	23-07-2018	Last change date:	23-07-2018
F	-	Material:	mm	Tolerancer:	Sheet size
E	-	Finish:	-	Weight:	A4
D	-				Item Number: 104746
C	-				Version: A
B	-				Scale: 1:25
					Drawn by: MP